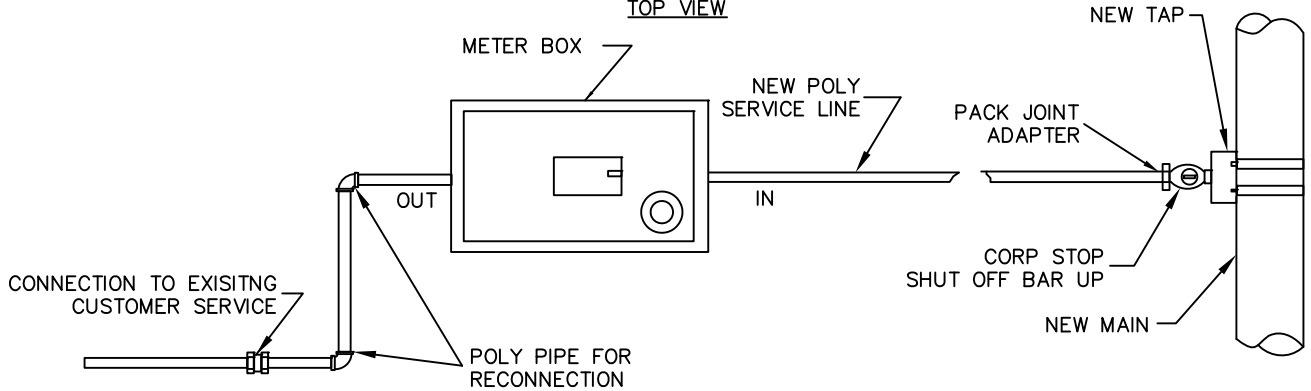


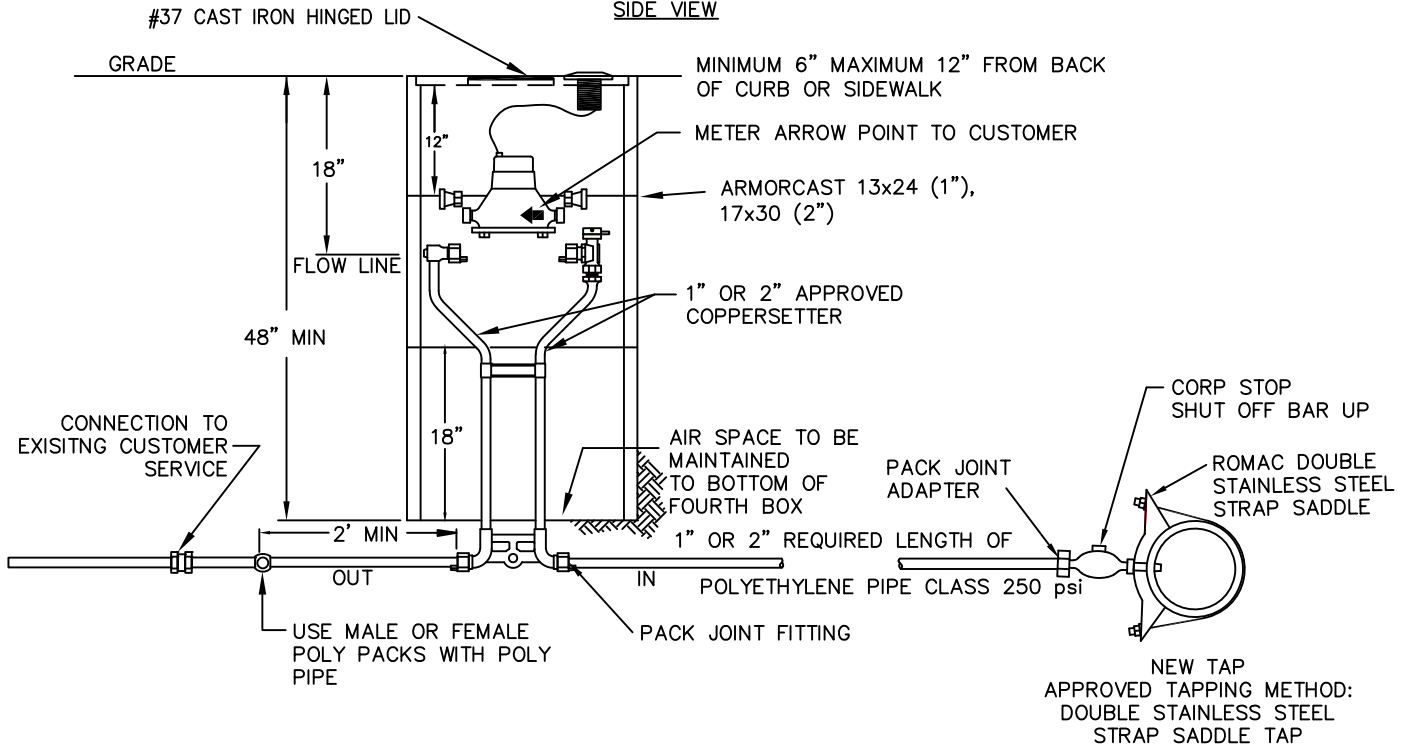
SERVICE LINE RECONNECTION TO REPLACED WATER MAIN

TOP VIEW



SERVICE LINE RECONNECTION TO REPLACED WATER MAIN

SIDE VIEW



NOTES:

1. MAIN TO HAVE 4'-6" MINIMUM OF COVER TO FINISHED GRADE.
2. SERVICE TO BE PRESSURE TESTED TO METER ANGLE STOP.
3. ALL MATERIALS TO CONFORM TO NSF-61 STANDARDS FOR LEAD FREE MATERIALS WHICH MAY COME INTO CONTACT WITH POTABLE WATER SUPPLY.
4. RECONNECTION TO EXISTING SERVICE WILL BE ACCOMPLISHED USING EITHER A MALE OR FEMALE POLY PACK WITH A SECTION OF POLY PIPE OR COPPER PIPE, OR A PACK JOINT ADAPTER FOR POLY PIPE. GALVANIZED NO LONGER ALLOWED.
5. THE SWING JOINT FROM THE COPPERSETTER TO THE EXISTING SERVICE SHALL BE POLY PIPE WITH A BAR IN THE STABILIZER HOLE ON THE SETTER TO STABILIZE THE COPPERSETTER..
6. POLYETHYLENE PIPE SHALL BE USED FOR SERVICE REPLACEMENT FROM THE MAIN TO THE COPPERSETTER.
7. NO PRIVATE CONNECTIONS OR FITTINGS ARE ALLOWED IN OR UNDER THE METER BOX.
8. ALL WORK SHALL BE INSPECTED BY THE WATER DEPT. INSPECTOR BEFORE BACKFILLING CAN TAKE PLACE.
9. OBSERVE MINIMUM UTILITY SEPARATION (WATER DEPARTMENT CONSTRUCTION STANDARDS - SUBSECTION 1.5.02)



CITY OF COEUR D'ALENE STANDARD DRAWING

1" & 2" SERVICE
RECONNECT

APPROVED BY:

Chris Busby 10/1/24
CITY ENGINEER, PE 10804 DATE:

DWG NO.

W-33